



## INSTRUCTIONS

# SPORTZ

LINK  
MODEL 51000

# BEFORE YOU BEGIN



### CAMPSITE SELECTION

- Select a smooth, level campsite clear of rocks, branches, and other hard or sharp objects
- Avoid areas with overhead power lines and tree limbs
- Park the vehicle in the chosen campsite
- Turn the engine off and engage the parking brake

### HOW TO STORE

1. Clean and dry the tent
2. Fold all of the components into the tent
3. Roll the tent, using the pole bag as a guide
4. Secure with the tent tie straps and insert into the carrying bag
5. Store in a cool, dry place

### WARRANTY INFORMATION

Napier tents have a one (1) year warranty period from the time of purchase against defects in improper workmanship. Normal wear and tear, seam leakage through needle holes, and improper use, abuse, or alteration are not covered under the warranty policy. Napier Outdoors will replace or repair defective parts. Replacement parts may be new or re-built at Napier's sole discretion. E-Warranty claim forms can be completed online at [www.napieroutdoors.com/warranty](http://www.napieroutdoors.com/warranty). Proof of purchase (receipt) must be provided. If you do not provide proof of purchase, or if your warranty period has ended, replacement parts can be purchased.

**To order replacement parts, contact Napier Outdoors at 800-567-2434 (9:00 am – 5:00 pm EST), visit [www.napieroutdoors.com](http://www.napieroutdoors.com), or email [customerservice@napieroutdoors.com](mailto:customerservice@napieroutdoors.com)**

### CAUTION

- Do not use candles, matches, or open flames of any kind in or near the tent
- Do not cook inside the tent
- Build campfires downwind and several meters away from the tent. Be sure to fully extinguish fires before leaving a campsite or before retiring for the night
- Exercise extreme caution when using fuel-powered lanterns or heaters inside or around the tent. Use battery-operated lanterns whenever possible
- Do not refuel lamps, heaters, or stoves inside the tent
- Extinguish or turn off all lanterns before going to sleep
- Do not smoke inside the tent
- Do not store flammable liquids inside the tent
- NEVER run the vehicle engine when the tent is attached
- Do not install the tent when the temperature is below 0°C/32°F or when your vehicle is wet, it may cause damage
- Allow adequate ventilation inside the tent at all times
- Do not attempt to drive the vehicle with the tent attached

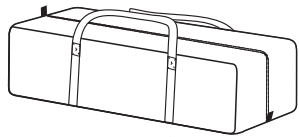
### ⚠ WARNING

- Keep all flame and heat sources away from the tent fabric. The tent is made with flame-resistant fabric which meets CPAI-84 specifications. This does not make it fireproof. The fabric will burn if left in contact with any flame source. The application of any foreign substance to the tent fabric may render the flame-resistant properties ineffective.
- To prevent carbon monoxide from entering the vehicle and tent area, do not run the engine, do not cook inside the tent, and do not use a gas heater in the tent. Carbon monoxide is dangerous to your health.
- Engine must be off and exhaust must be fully cooled before tent installation and use.

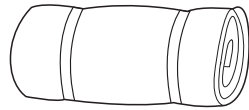
# PACKAGE CONTENTS

If you are missing parts, please contact Napier Outdoors at 800-567-2434 | Monday - Friday or email [customerservice@napieroutdoors.com](mailto:customerservice@napieroutdoors.com)

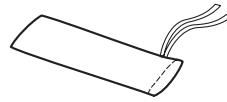
Remove contents from the bag and ensure you have all components listed below.



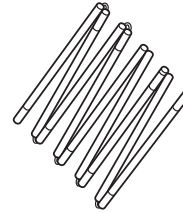
TENT BAG



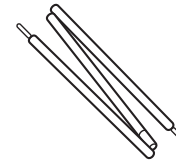
TENT



POLE BAG



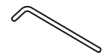
TENT POLES (2)



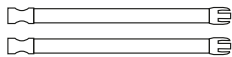
AWNING POLE (1)



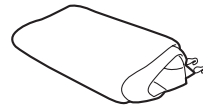
STAKE BAG



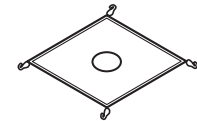
STAKES (10)



TENT TIE STRAPS (2)



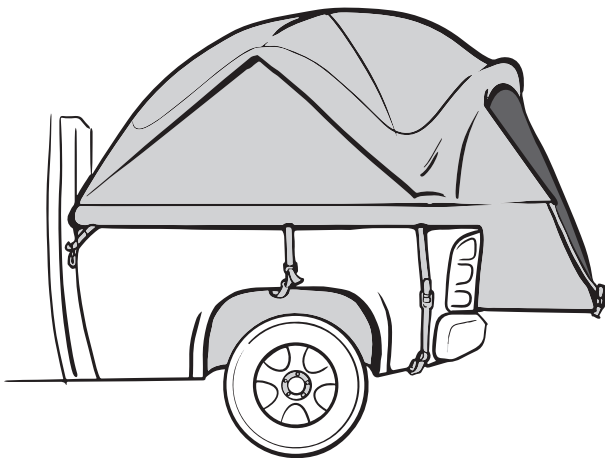
RAINFLY



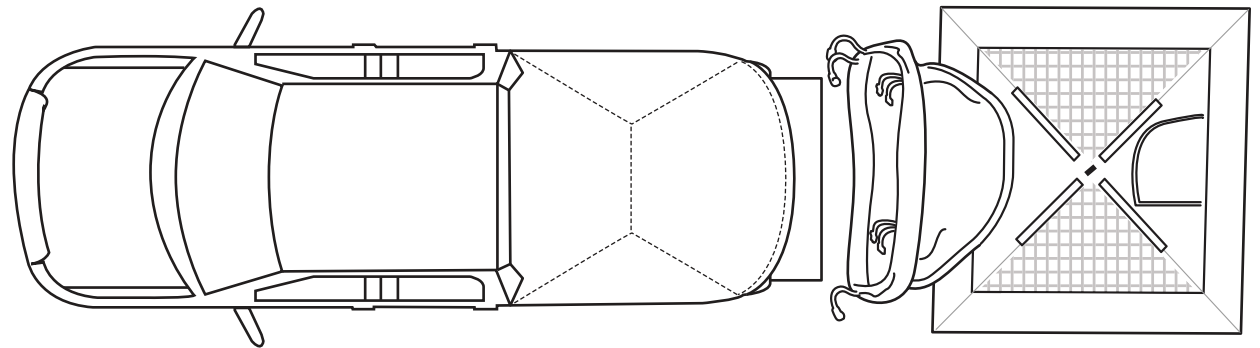
GEAR LOFT

# TENT SET UP

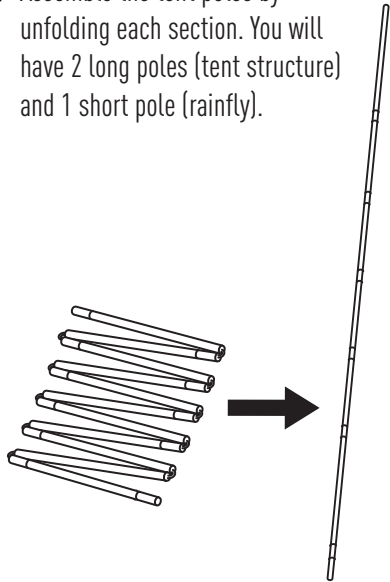
- 1 Set-up your Napier Truck Tent per the instructions provided in the carrying bag.



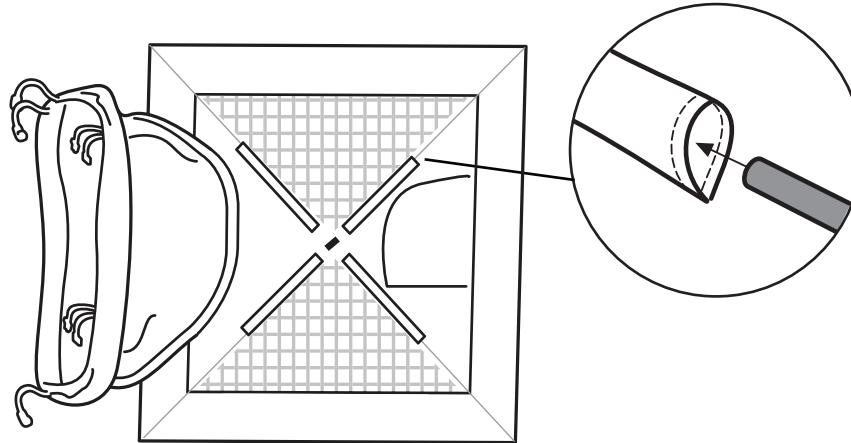
- 2 Lay out the Sportz Link Tent with the vehicle sleeve facing the bed of your truck.



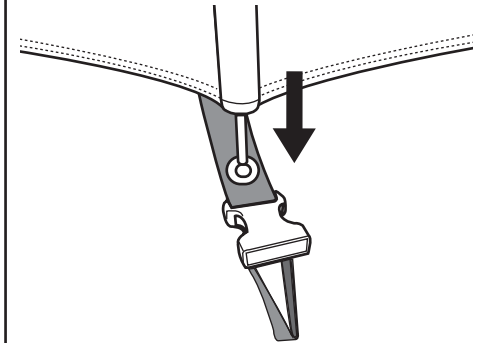
- 3 Assemble the tent poles by unfolding each section. You will have 2 long poles (tent structure) and 1 short pole (rainfly).



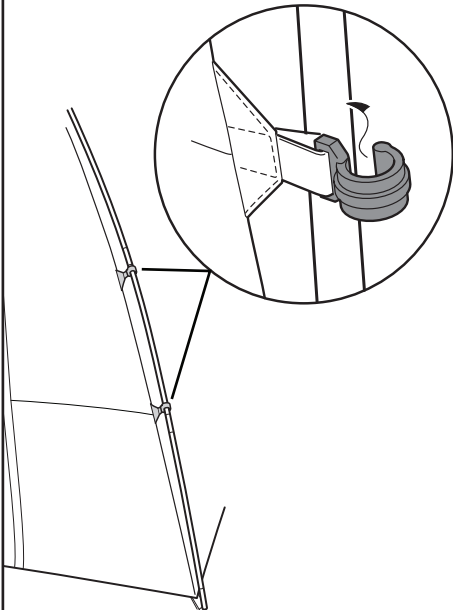
- 4 Insert the tent poles diagonally, corner-to-corner, into the pole sleeves. The center of the poles should cross and form an X.  
**NOTE: The poles may get stuck in the pole sleeve. Do not force the pole - gently lead it through the fabric sleeve.**



- 5 Insert one end of the pole into the grommet hole located in the corner of the tent. Go to the opposite end of the pole and gradually apply pressure to the pole, forming an arch until you are able to insert the pin into the grommet hole. Repeat for the second pole.

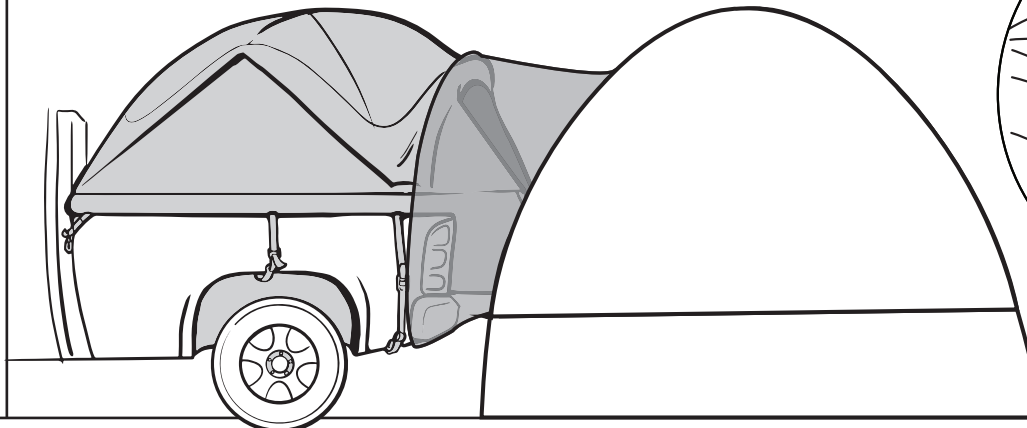


- 6 Attach the pole clips found on the tent to the poles.

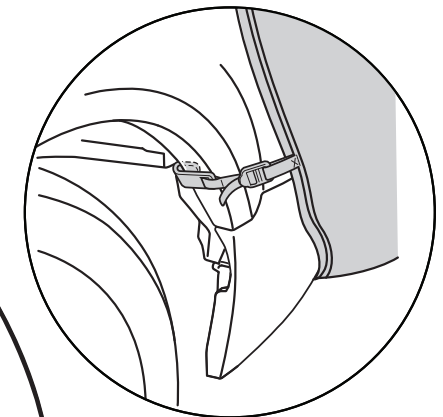


- 7 From inside the ground tent, unzip the door and mesh that faces the truck bed. Roll up the mesh and door and secure with T-straps.

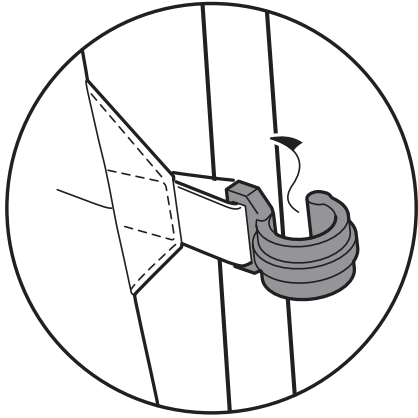
- 8 Move the tent towards the tailgate of the truck. Slip the sleeve under the bumper and over the entrance of the truck tent. Ensuring the sleeve is over the vestibule pole.



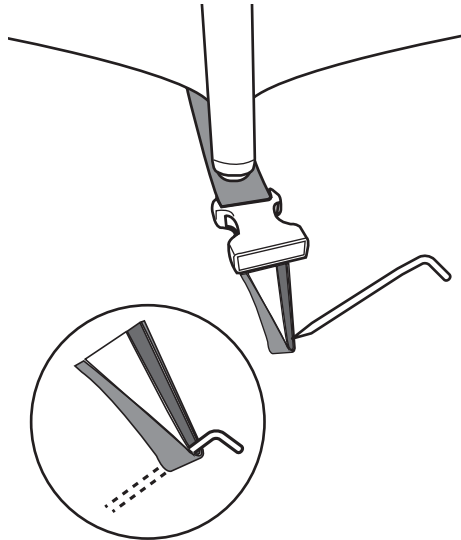
- 9 Outside of the tent, secure the tent to your vehicle:  
A. Attach the bottom outside J-Hook strap to any part of the wheel well and tighten (1 per side).  
**NOTE: Ensure the exhaust pipe is outside of the sleeve.**



- 9** B. Attach the clips located on the tent to the corner-to-corner pole on the truck tent (1 per side).

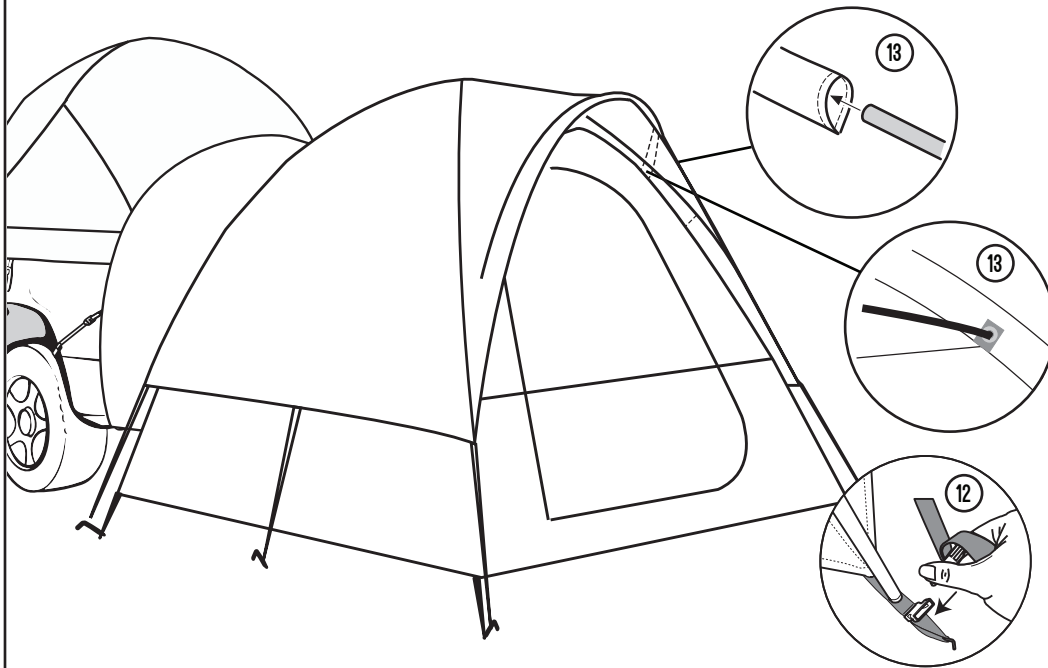


- 10** Stake down the tent through the corner and entrance webbing loops.



## ATTACHING THE RAINFLY

- 11** Drape the rainfly over the tent. The side that says "Truck Tent Side" goes towards the truck.



- 12** Attach the rainfly to the clips found at the bottom corners of the tent. Tighten the straps and secure the Velcro tabs around the poles.

- 13** Locate the rainfly pole and insert it into the sleeve located above the door. Place the end of the pole into the grommet hole located on the pole sleeve. Repeat on the other side.

- 14** Stake the rainfly guy lines to the ground.

- 15** To install the gear loft, place each corner hook of the gear loft into the loop located on the ceiling of the tent.

