



# ROOFTOP TENT OWNER'S MANUAL

## CAMPSITE SELECTION

- Avoid areas with overhead power lines and tree limbs
- Turn the engine off and engage the parking brake

## HOW TO STORE

1. Clean and dry the tent
2. Fold the tent over using the ladder and zip up the cover
3. Secure the tent with the tent tie straps
4. Store in a cool, dry place



## CAUTION

- Do not use candles, matches, or open flames of any kind in or near the tent
- Do not cook inside the tent
- Build campfires downwind and several meters away from the tent. Be sure to fully extinguish fires before leaving a campsite or before retiring for the night
- Exercise extreme caution when using fuel-powered lanterns or heaters inside or around the tent. Use battery-operated lanterns whenever possible
- Do not refuel lamps, heaters, or stoves inside the tent
- Extinguish or turn off all lanterns before going to sleep
- Do not smoke inside the tent
- Do not store flammable liquids inside the tent
- Allow adequate ventilation inside the tent at all times
- Ensure the ladder is set up securely, on a dry, level surface.
- Ensure nylon lock nuts are tightened before and after long trips.

**ROOFTOP TENT MUST BE SIDE MOUNTED AS SHOWN ABOVE, THEREFORE VEHICLES MUST HAVE CROSS BARS INSTALLED (FACTORY OR AFTERMARKET).**

## WARRANTY INFORMATION

Napier tents have a one (1) year warranty period from the time of purchase against defects in improper workmanship. Normal wear and tear, seam leakage through needle holes, and improper use, abuse, or alteration are not covered under the warranty policy. Napier Outdoors will replace or repair defective parts. Replacement parts may be new or re-built at Napier's sole discretion. E-Warranty claim forms can be completed online at [www.napieroutdoors.com/warranty](http://www.napieroutdoors.com/warranty). Proof of purchase (receipt) must be provided. If you do not provide proof of purchase, or if your warranty period has ended, replacement parts can be purchased.

**To order replacement parts, contact Napier Outdoors at 800-567-2434 (9:00am – 5:00pm EST), visit [www.napieroutdoors.com](http://www.napieroutdoors.com), or email [customerservice@napieroutdoors.com](mailto:customerservice@napieroutdoors.com).**

## ⚠️ WARNING

- Improper installation or use of your tent may result in serious injury or death. Please ensure ladder is set up on grass or is safely secured before use, and follow these installation instructions carefully to ensure proper set-up. Check with your vehicle manufacturer for specified loading capacity of roof rack.
- Keep all flame and heat sources away from the tent fabric. The tent is made with flame-resistant fabric which meets CPAI-84 specifications. This does not make it fireproof. The fabric will burn if left in contact with any flame source. The application of any foreign substance to the tent fabric may render the flame-resistant properties ineffective.
- To prevent carbon monoxide from entering the tent area, do not cook inside the tent, and do not use a gas heater in the tent. Carbon monoxide is dangerous to your health.

## PACKAGE CONTAINS

### INSTALLATION PARTS

TRAVEL COVER (not shown)

TENT

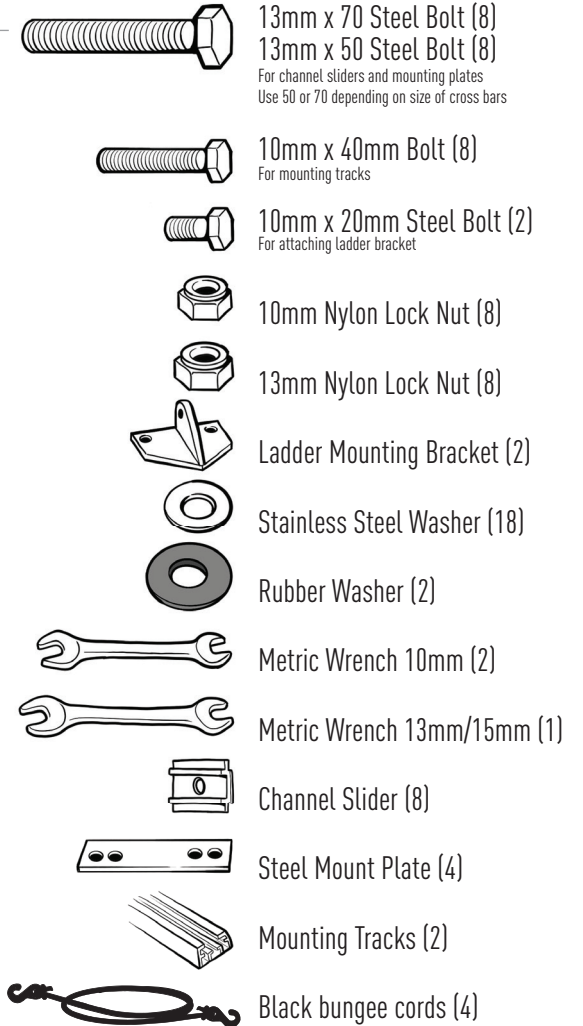
RAINFLY

METAL RODS (8)

LADDER



## INSTALLATION PARTS



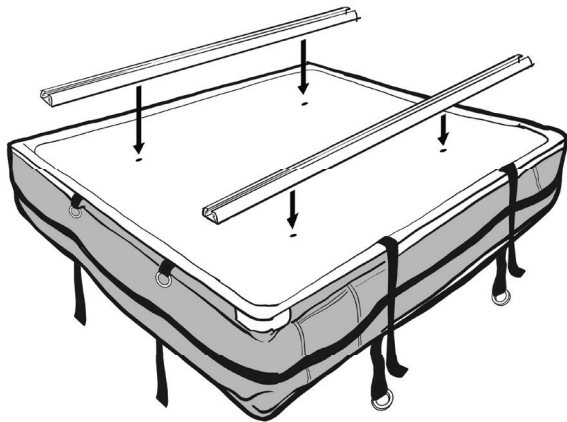
## HOW TO ACCESS INSTALLATION PARTS

Open loop straps and Velcro straps on sides of tent. Lift open tent to take out ladder and parts. Close tent to begin set-up process. Ensure that side with drilled holes is facing upwards.

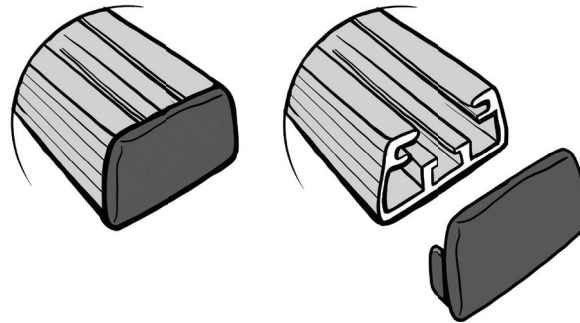
If you are missing parts, please contact Napier Outdoors at 800-567-2434 Monday-Friday or email [customerservice@napieroutdoors.com](mailto:customerservice@napieroutdoors.com)

## PRE-INSTALLATION SET-UP (To be completed on ground or flat surface)

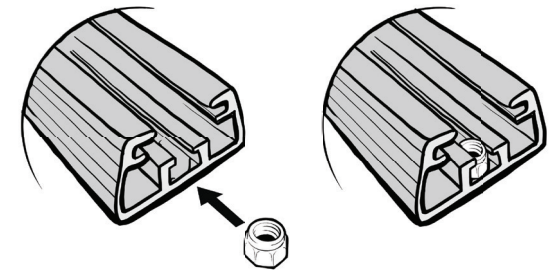
- 1** To begin, align the holes in the mounting tracks over the four pre-drilled holes near the center of the tent base.



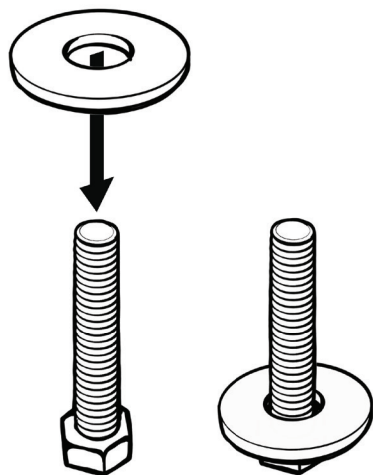
- 2 A)** Remove plastic end caps. Leave off until step 11.



- 2 B)** Slide the 10mm nylon locking nuts into the inner slot in the center of the mounting tracks. Align with the holes on the base.

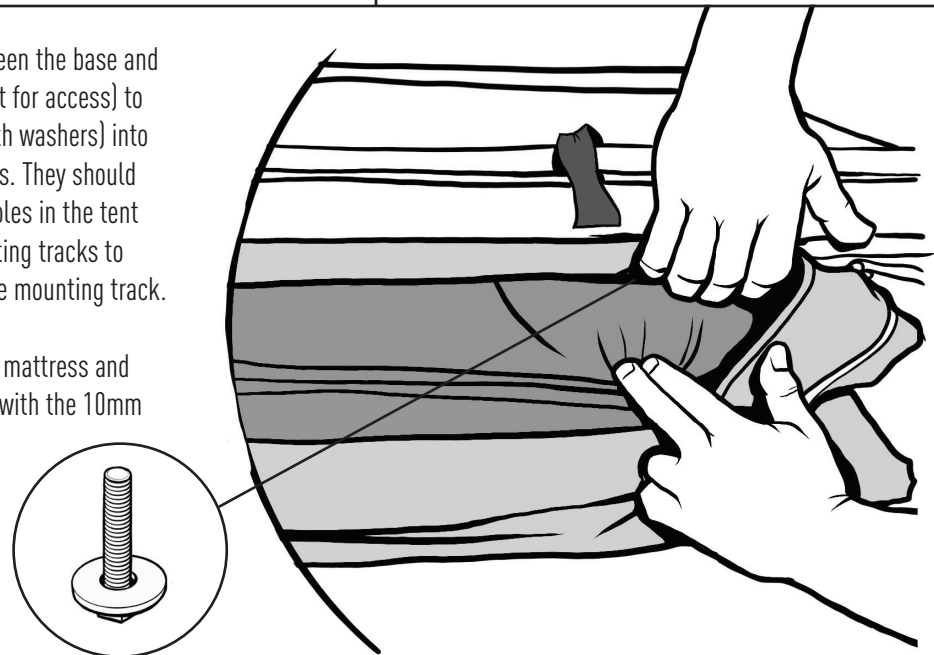


- 3 A)** Add one steel washer to each 10mm x 40mm bolt provided.

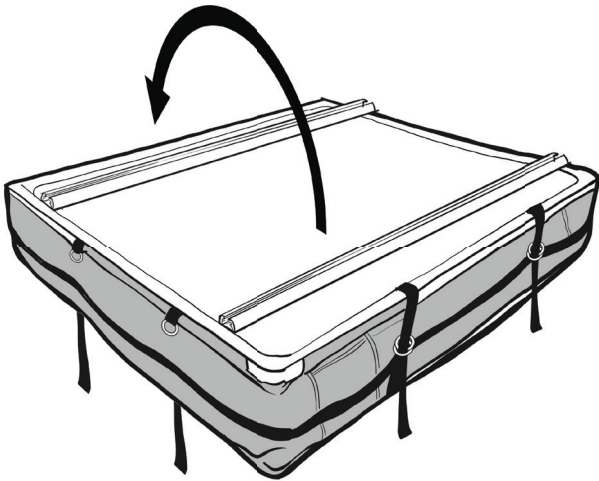


- 3 B)** Slide hand between the base and mattress (unzip tent for access) to insert the bolts (with washers) into the pre-drilled holes. They should pass through the holes in the tent base and the mounting tracks to meet the nuts in the mounting track.

- C)** Reach under the mattress and secure bolts firmly with the 10mm wrench (supplied).



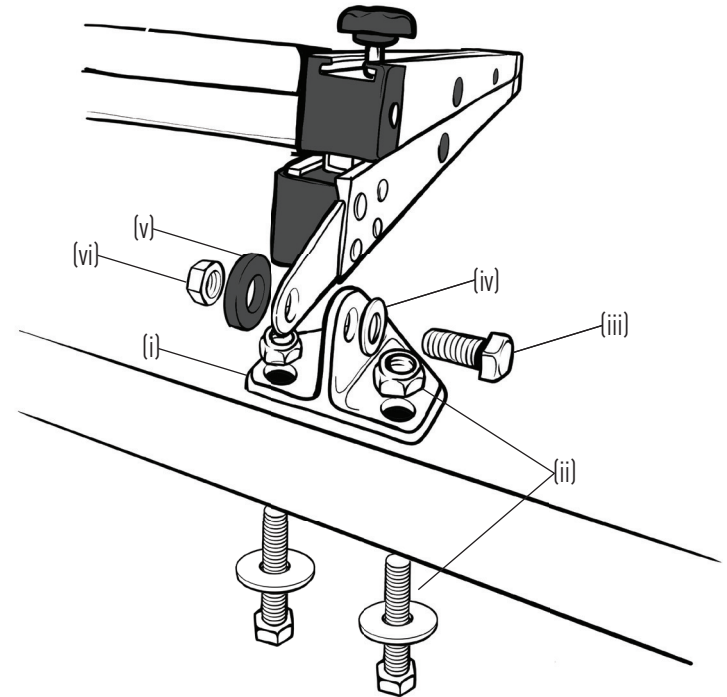
- 4 A)** Secure the two long-looped straps. Flip the tent base over.



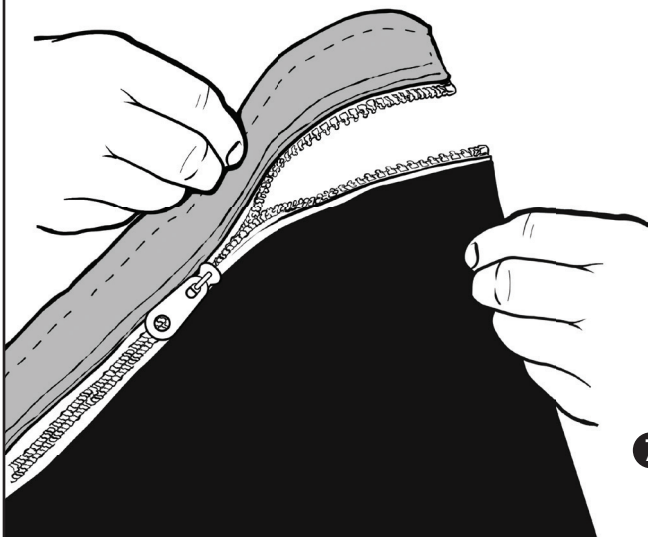
- 4 B)** Undo the two long-looped straps. Fasten the ladder brackets (i) to the holes near the end of the tent base using the bolts on the ladder brackets; 13mm steel bolt, washer and nut (ii).

**C)** Slide the bolts between the mattress and the base. You will need to pass each one through the following: the steel washer, the hole in the tent base, and the ladder bracket—secure with a nylon lock nut.

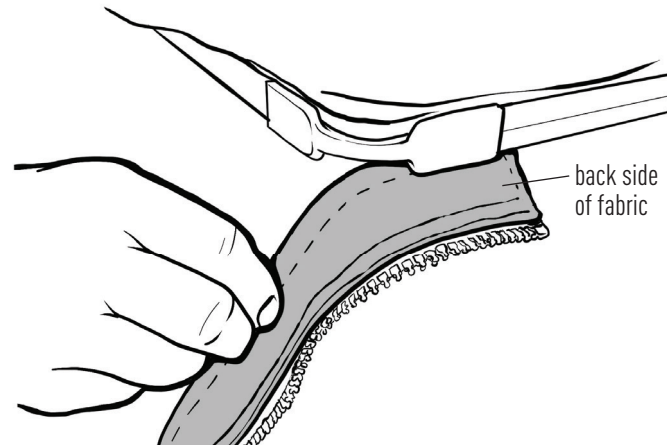
- 5** Attach the ladder by using the supplied 10mm x 20mm bolt (iii). Pair with a steel washer (iv) and rubber washer (v), then fasten to the side holes of the ladder bracket and the hole on the ladder using a nylon lock nut (vi). Secure the ladder with Velcro strap.



## COVER ATTACHMENT



- 6 A)** Unzip black cover from fabric portion.  
**B)** Feed the fabric portion of the cover into the rounded channel. Slide through until all fabric is secured in the channel (on three sides).



- 7** Place the black cover over top of the tent. Close the cover with the zipper, ensuring no fabric gets caught along the way. Fasten the long loop straps on either side of the ladder.

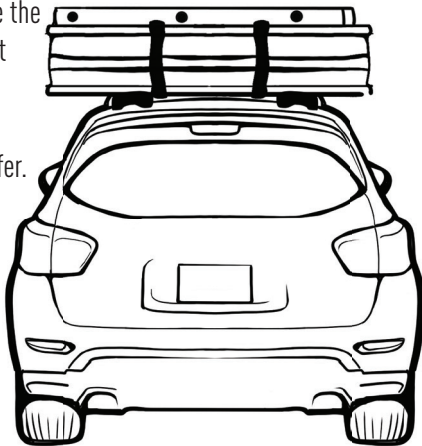
## STEPS 1-6 FIRST TIME USE ONLY

Steps 1 - 6 are for first time use only and do not need to be repeated or disassembled. Once these steps are complete, your tent is ready to be installed on your vehicle.

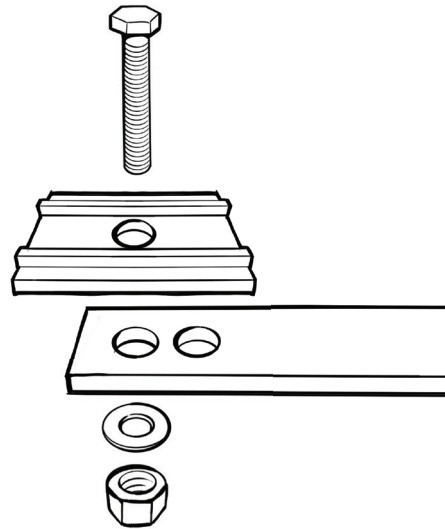
## ATTACHING TO VEHICLE CROSS BARS

- 8 Have someone help you lift the tent on top of your vehicle cross bars (cover can be on or off). The mounting tracks will need to be perpendicular to the bars they will mount to, and the tent should be centered on the cross bars.

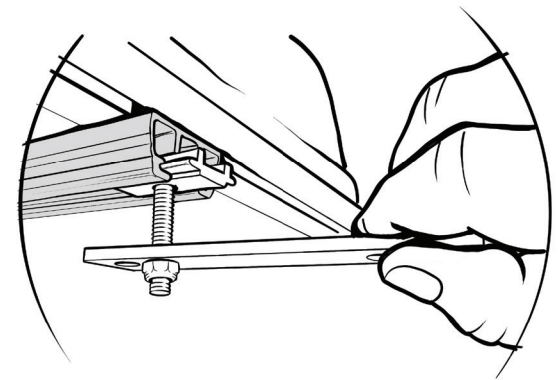
**NOTE:** Place the hinge so that the tent will open on the side you prefer.



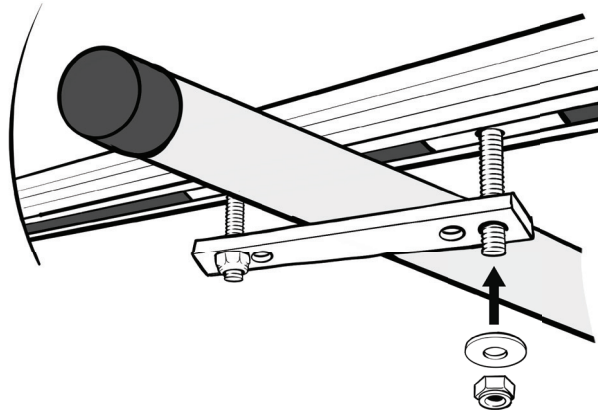
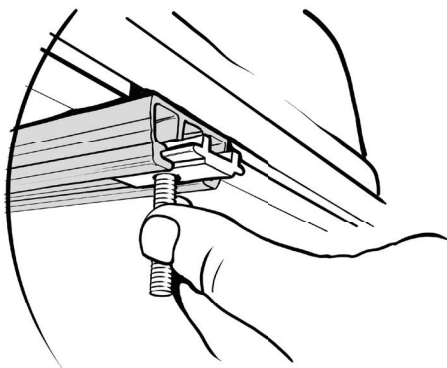
- 9 **A)** Assemble the channel sliders and steel mount plates together using the 13mm x 70mm or 50mm (dependent on cross bars) steel bolts.



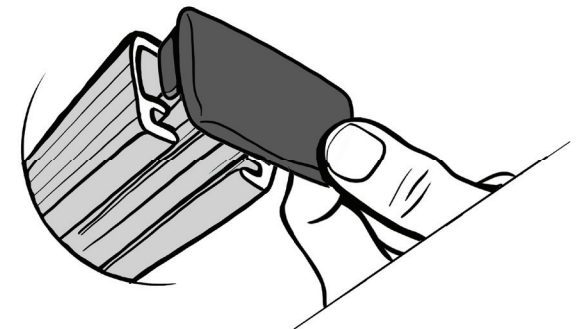
- B)** Once assembled, slide the 13mm bolts with channel sliders through the mounting tracks. Lift one side of the tent and place one of the bolts (with channel sliders) on the inner side of the roof rack bar. Do this on the opposite side, then repeat for the other two corners.



- 10 Use a steel mounting plate at each of the four corners (where the rack bars and mounting tracks cross) and secure the bolts with nylon lock nuts on either side of the bar.
- NOTE:** Ensure nuts are tightened before and after long trips.

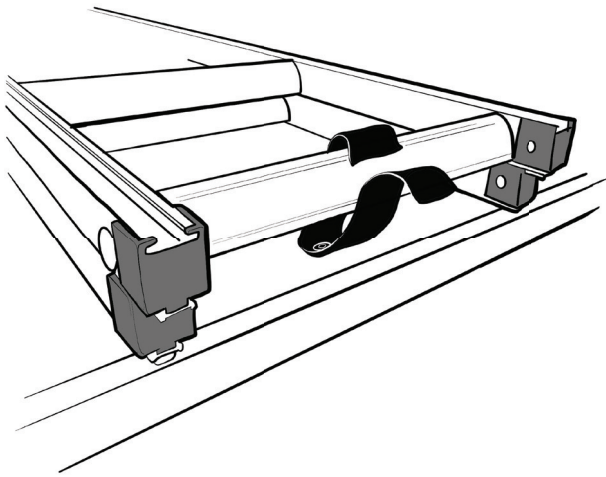


- 11 Once the tent is positioned and all eight bolts are secure, attach plastic end caps into the ends of the mounting tracks. Tap in gently with a hammer if necessary.

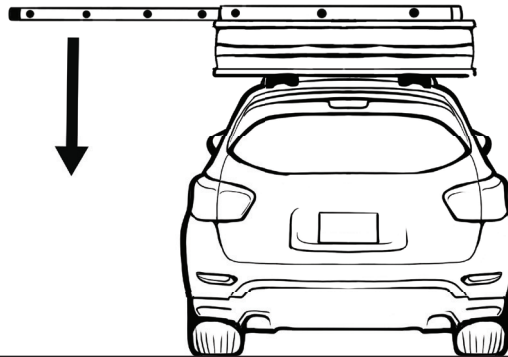


## TENT SETUP

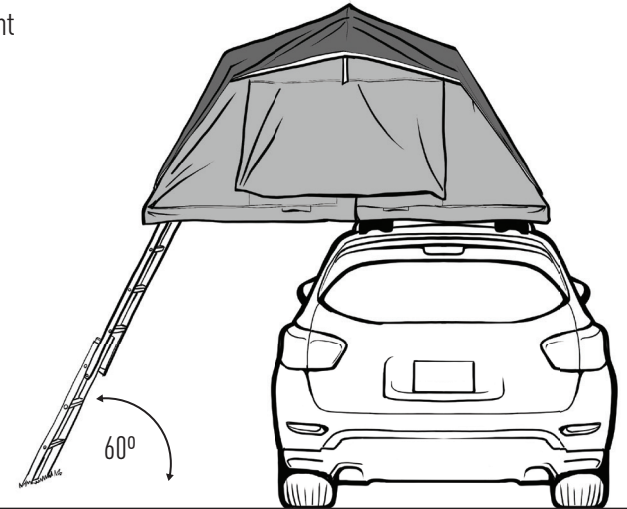
- 12 Unzip travel cover and release Velcro ladder straps. Undo the straps across the tent.



- 13 Disengage ladder and fully extend it from tent base so that it is parallel to the ground.
- 14 Using the ladder, press downwards until ladder meets the ground. The tent base should now be horizontal and the tent fully upright. The ladder should be at a sixty degree angle (approximately) to the ground.



- 15 Adjust ladder height using locking levers to be at desired height. Once desired height is in place, secure locking levers.



- 16 A) To open the awnings, insert the hook end of the gold metal rods into the grommet hole found on the corners of each awning/window.

- B) Locate the fabric slits in the tent skirt and insert the rod at a 45 degree angle until snug (approximately half an inch). Repeat for all eight rods.



## TENT TAKE DOWN

**NOTE:** If rainfly is wet, open once at home to dry out.

- 17 When finished camping, hook the four black bungee cords into the eight plastic rings inside the tent (two above window, two beside lower part of window on both sides). Clip horizontally from window to window to help pull sides in when folding the tent closed.
- 18 Remove all gold metal rods.
- 19 Fasten all corners of awning and rainfly.
- 20 Push ladder up to close tent. Retract ladder and secure Velcro strap.
- 21 Fasten the four Velcro straps on each side of the tent.
- 22 Zip cover on over tent.
- 23 Fasten the two long-looped straps on each side of the ladder.